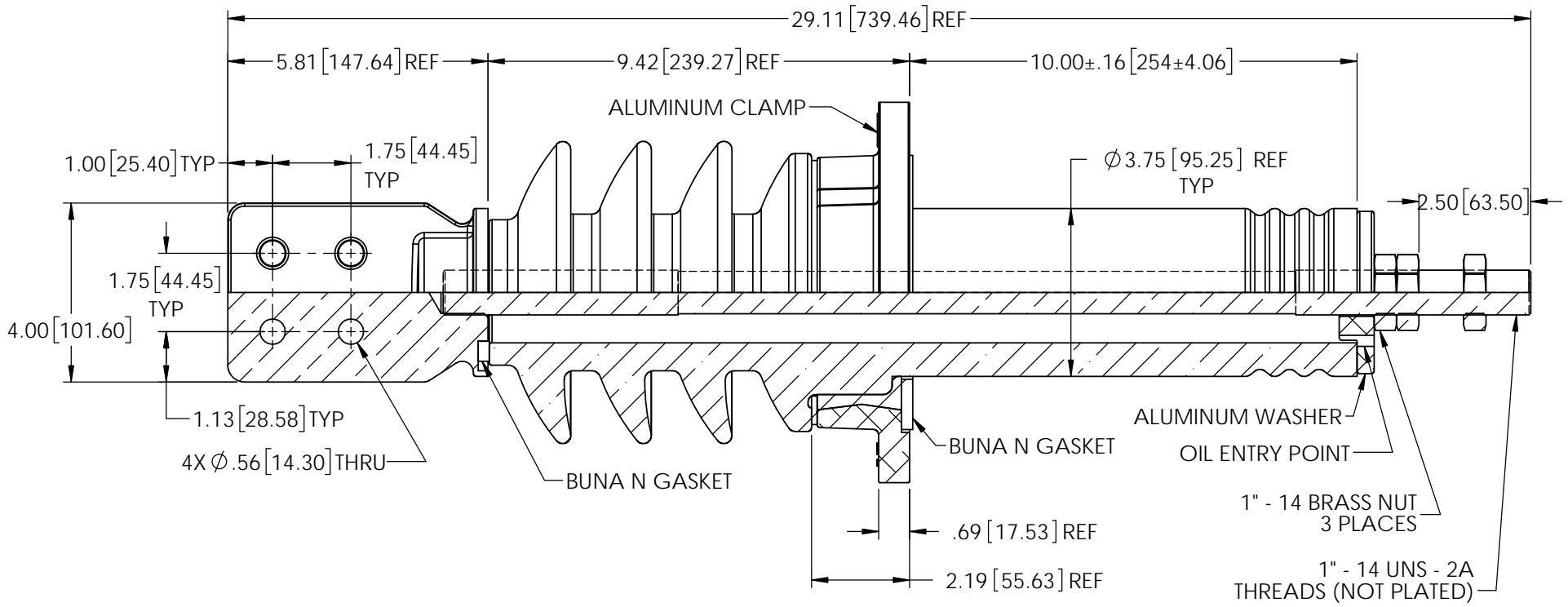
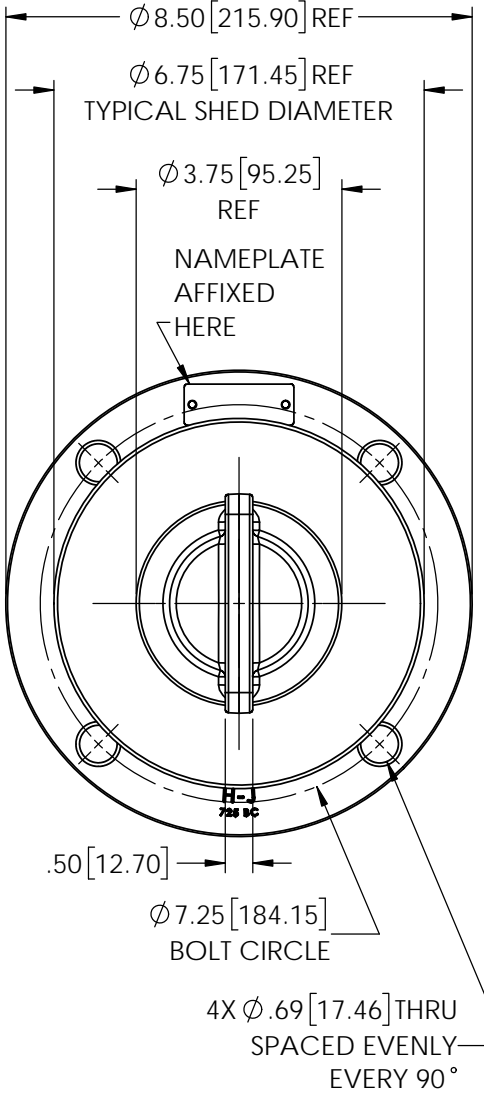


REVISIONS					
REV	DATE	ECN #	DESCRIPTION	BY	APPD



**MATERIAL:**  
 STUD - COPPER C11000  
 SPADE - C84400 TIN PLATED

**NOTES:**  
 1. SHANK TO FIT INTO  $\varnothing 4-1/4$ " TANK HOLE.  
 2. FOR HORIZONTAL OR VERTICAL MOUNTING.  
 3. MINIMUM COLD OIL LEVEL - 4" UP SHANK.

**PORCELAIN NOTES:**  
 1. WET PROCESS ELECTRICAL PORCELAIN.  
 2. GRAY GLAZE MUNSELL 5BG 7.0/0.4  
 3. TOLERANCE  $\pm 3\%$  WITH NOTHING LESS THAN  $\pm .03$ ", UNLESS OTHERWISE NOTED ON DRAWING.

- SPECIFICATIONS:**
- VOLTAGE RATING ..... 15KV CLASS
  - BASIC IMPULSE LEVEL ..... 110KV BIL
  - NOMINAL CURRENT RATING ..... 800 AMPS
  - CREEP DISTANCE (MINIMUM) ..... 14.40 [365.76]
  - STRIKE DISTANCE (MINIMUM) ..... 7.67 [194.82]
  - APPROXIMATE WEIGHT ..... 32.97 LBS

**PROPRIETARY AND CONFIDENTIAL**  
 THE INFORMATION CONTAINED IN THIS DRAWING IS THE SOLE PROPERTY OF H-J ENTERPRISES, INC. ANY REPRODUCTION IN PART OR AS A WHOLE WITHOUT THE WRITTEN PERMISSION OF H-J ENTERPRISES, INC. IS PROHIBITED.

TOLERANCES (EXCEPT AS NOTED)	
DECIMAL	.X" = $\pm .1$ " .XX" = $\pm .06$ " .XXX" = $\pm .03$ "
ANGULAR	+/- 1 Degrees



**H - J ENTERPRISES, INC.**  
 3010 HIGH RIDGE BLVD. HIGH RIDGE, MO. 63049 USA  
 PHONE 1-636-677-3421 FAX 1-636-376-1915

**15 KV CLASS POWER BUSHING**

MATERIAL (SEE DRAWING)		DRAWING NO. AS1722-0031	
CHK'D	APP'D	SCALE	N.T.S.
DRAWN BY MAD		DATE 6/8/2021	